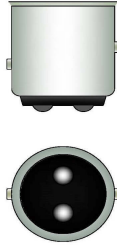


## LED Specification and Cross-Reference Guide

### REVOLUTION 1157-170™ BULB

2 Per Pack



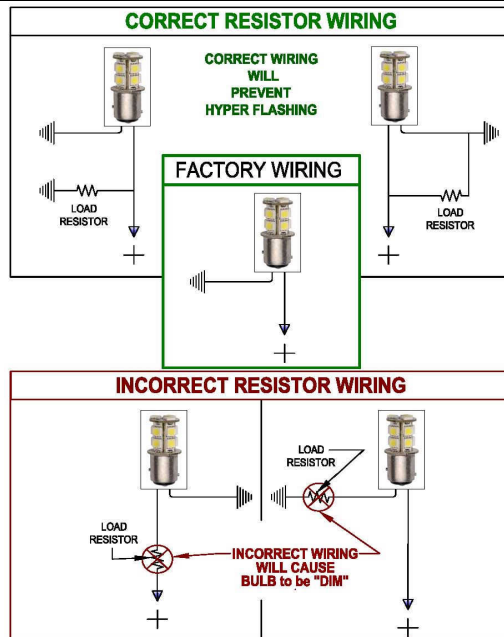
## BAY15d

Double Contact Index Bayonet Base

<b>PRODUCT NAME</b>	Revolution 1157-170™
<b>Sku Number</b>	834760115724
<b>Color temperature</b>	6500K
<b>Lumen output</b>	170 Lumens
<b>Voltage / Regulated Range</b>	12 Volts DC / 9-15 Volts
<b>Total Watts / Total Amps</b>	3.2 / .235
<b>Comparable to bulb/s</b>	1016, 1034, 1130, 1142, 1154, 1157, 1493, 2057, 2357, 2397, 3496, 7225, 7528
<b>Bulb Base</b>	BAY15d
<b>Life Span</b>	60,000 Hour Life Expectancy

**Important**

Not all vehicles require a load resistor for the "Turn Signal Circuit". Please test your vehicle prior to purchasing these resistors. To perform a self test, simply install your new LED bulb into your socket. Next activate your signal. If your LED bulb does not blink, or if it blinks rapidly, than you must install a load resistor. If your indicator light blinks as normal, than no load resistor is needed. Also, you may need to install more than one load resistor per circuit, depending on how many lights are wired to that circuit. To determine if you need more than one load resistor, please initiate self-test above after installing the LED bulb and load resistor.



### REVOLUTION 1157-170™



BAY15d Double Contact D.C. Index Bayonet Base