



LED Specification and Cross-Reference Guide

**REVOLUTION G4-160-BP™ and 205-BP™ BULB**

1 Per Pack

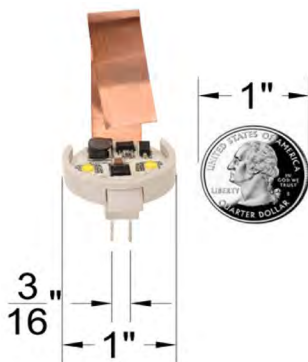
1 Per Pack



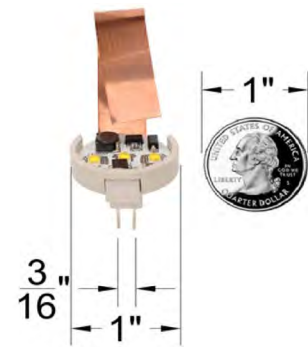
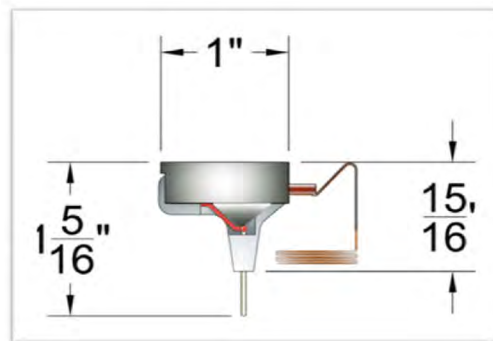
G4 - Sub-miniature  
2-Pin

PRODUCT NAME	Revolution G4-160-BP™	Revolution G4-205-BP™
Sku Number	610074074830	610074074892
Color temperature	4200 K	4200 K
Lumen output	160 Lumens	205 Lumens
Voltage / Regulated Range	12 Volts DC / 9-30 Volts	12 Volts DC / 9-30 Volts
Total Watts / Total Amps	1.3786 / .113	3.67 / .301
Bulb Base	G4 - SUB-MINIATURE 2-PIN	G4 - SUB-MINIATURE 2-PIN
Life Span	60,000 Hour Life Expectancy	60,000 Hour Life Expectancy

REVOLUTION G4-160-BP AND G4-205-BP



Revolution G4-160™



Revolution G4-205™