

REVOLUTION™ RVLED Bulbs

SPRING 2011 CATALOG





LED Specification and Cross-Reference Guide

REVOLUTION 1141-150 BULBS



BA15s

Single Contact Bayonet Base

1 Per Pack



1 Per Pack



PRODUCT NAME	Revolution 1141-150™	Revolution 1141-150B™
SKU Number	834760001522	834760001607
Base Plastic Color	White	Black
Color temperature	6500K	6500K
Lumen output	150 Lumens	150 Lumens
Voltage / Regulated Range	12 Volts DC / 8-30 Volts	12 Volts DC / 8-30 Volts
Total Watts / Total Amps	1.8 / .1500	1.8 / .1500
Comparable to bulb/s	93, 1003, 1073, 1093, 1129, 1141 , 1156, 1159, 1295, 1459, 1619, 1651, 1680, 3497, 5007, 5008, 7506, 7527	
Bulb Base	BA15s	BA15s
Life Span	60,000 Hour Life Expectancy	60,000 Hour Life Expectancy

Performance Chart				
Incandescent Bulb #	Bulb Life in Hours	Incandescent Bulb		Incandescent Bulb Wattage / Amps
		Initial Lumen Output	Designed Lumen Output	
93	500	189	75	13.3 / 1.04
1003	200	189	75	12 / .938
1073	300	255	160	21 / 1.8
1093	1000	188	76	15.2 / 1.19
1129	200	264	105	16.8 / 2.63
1141	500	220	104	18.4 / 1.44
1156	1200	402	160	26.9 / 2.1
1159	500	263	104	20.5 / 1.6
1295	200	629	251	37.5 / 3
1459	300	31.4	12	3.2 / .8
1619	500	188	76	12.7 / 1.9
1651	20	37.8	15.2	3 / .6
1680	300	401	160.4	24.6 / 4.1
3497	600	565	226	25.2 / 2.1
5007	200	50	20	5 / .417
5008	200	125	50	10 / .833
7506	300	464	185.6	21 / 1.75
7527	75	251	100.4	18 / 1.5

REVOLUTION 1141-150

Revolution 1141-150, 200, 255 & 305 LED Bulbs Rotate 359 Degrees to allow the LED array to be directed

BA15s Base

NOTE - "Design Lumen Output"

The incandescent bulbs, which our LED bulbs replace, quickly degrade by 60% to the "Designed Luminous Output" listed on the chart to the left. Thus, within just a few hours of use, many of these incandescent bulbs are less bright than our LED bulbs, but they still require 90% more amperage to run.



LED Specification and Cross-Reference Guide

REVOLUTION 1141-200™ BULBS



BA15s

Single Contact Bayonet Base

1 Per Pack



1 Per Pack



PRODUCT NAME	Revolution 1141-200™	Revolution 1141-200B™
SKU Number	834760020028	834760001614
Base Plastic Color	White	Black
Color temperature	6500K	6500K
Lumen output	200 Lumens	200 Lumens
Voltage / Regulated Range	12 Volts DC / 8-30 Volts	12 Volts DC / 8-30 Volts
Total Watts / Total Amps	2.5 / .2083	2.5 / .2083
Comparable to bulb/s	93, 1003, 1073, 1093, 1129, 1141 , 1156, 1159, 1295, 1459, 1619, 1651, 1680, 3497, 5007, 5008, 7506, 7527	
Bulb Base	BA15s	BA15s
Life Span	60,000 Hour Life Expectancy	60,000 Hour Life Expectancy

Performance Chart				
Incandescent Bulb #	Bulb Life in Hours	Incandescent Bulb		Incandescent Bulb Wattage / Amps
		Initial Lumen Output	Designed Lumen Output	
93	500	189	75	13.3 / 1.04
1003	200	189	75	12 / .938
1073	300	255	160	21 / 1.8
1093	1000	188	76	15.2 / 1.19
1129	200	264	105	16.8 / 2.63
1141	500	220	104	18.4 / 1.44
1156	1200	402	160	26.9 / 2.1
1159	500	263	104	20.5 / 1.6
1295	200	629	251	37.5 / 3
1459	300	31.4	12	3.2 / .8
1619	500	188	76	12.7 / 1.9
1651	20	37.8	15.2	3 / .6
1680	300	401	160.4	24.6 / 4.1
3497	600	565	226	25.2 / 2.1
5007	200	50	20	5 / .417
5008	200	125	50	10 / .833
7506	300	464	185.6	21 / 1.75
7527	75	251	100.4	18 / 1.5

REVOLUTION 1141-200

Revolution 1141-150, 200, 255 & 305 LED Bulbs Rotate 359 Degrees to allow the LED array to be directed

BA15s Base

NOTE - "Design Lumen Output"

The incandescent bulbs, which our LED bulbs replace, quickly degrade by 60% to the "Designed Luminous Output" listed on the chart to the left. Thus, within just a few hours of use, many of these incandescent bulbs are less bright than our LED bulbs, but they still require 90% more amperage to run.



LED Specification and Cross-Reference Guide

REVOLUTION 1141-255 & 305 BULBS



BA15s

Single Contact Bayonet Base

1 Per Pack



1 Per Pack



PRODUCT NAME	Revolution 1141-255™	Revolution 1141-305™
SKU Number	610074075547	610074075509
Base Plastic Color	Silver	Silver
Color temperature	3200K	6500K
Lumen output	255 Lumens	305 Lumens
Voltage / Regulated Range	12 Volts DC / 8-30 Volts	12 Volts DC / 8-30 Volts
Total Watts / Total Amps	5.25 / .4200	5.25 / .4200
Comparable to Bulb/s	93, 1003, 1073, 1093, 1129, 1141, 1156, 1159, 1295, 1459, 1619, 1651, 1680, 3497, 5007, 5008, 7506, 7527	
Bulb Base	BA15s	BA15s
Life Span	60,000 Hour Life Expectancy	60,000 Hour Life Expectancy

Performance Chart				
Incandescent Bulb #	Bulb Life in Hours	Incandescent Bulb		Incandescent Bulb Wattage / Amps
		Initial Lumen Output	Designed Lumen Output	
93	500	189	75	13.3 / 1.04
1003	200	189	75	12 / .938
1073	300	255	160	21 / 1.8
1093	1000	188	76	15.2 / 1.19
1129	200	264	105	16.8 / 2.63
1141	500	220	104	18.4 / 1.44
1156	1200	402	160	26.9 / 2.1
1159	500	263	104	20.5 / 1.6
1295	200	629	251	37.5 / 3
1459	300	31.4	12	3.2 / .8
1619	500	188	76	12.7 / 1.9
1651	20	37.8	15.2	3 / .6
1680	300	401	160.4	24.6 / 4.1
3497	600	565	226	25.2 / 2.1
5007	200	50	20	5 / .417
5008	200	125	50	10 / .833
7506	300	464	185.6	21 / 1.75
7527	75	251	100.4	18 / 1.5

REVOLUTION 255 & 305

Revolution 1141-150, 200, 255 & 305 LED Bulbs Rotate 359 Degrees to allow the LED array to be directed

BA15s Base

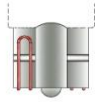
NOTE - "Design Lumen Output"

The incandescent bulbs, which our LED bulbs replace, quickly degrade by 60% to the "Designed Luminous Output" listed on the chart to the left. Thus, within just a few hours of use, many of these incandescent bulbs are less bright than our LED bulbs, but they still require 90% more amperage to run.



LED Specification and Cross-Reference Guide

REVOLUTION 921-160 & 250 BULBS



W2.1 x 9.5d

Wedge Base

1 Per Pack



1 Per Pack



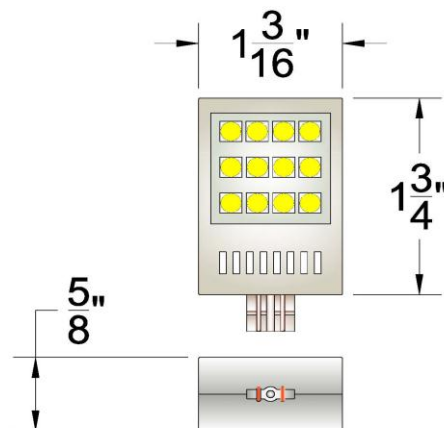
PRODUCT NAME	Revolution 921-160™	Revolution 921-250™
SKU Number	834760001805	834760002512
Base Plastic Color	White	White
Color temperature	3200K	3200K
Lumen output	160 Lumens	250 Lumens
Voltage / Regulated Range	12 Volts DC / 8-30 Volts	12 Volts DC / 8-30 Volts
Total Watts / Total Amps	2.5 / .2083	3.3 / .2749
Comparable to Bulb/s	194, 516, 579, 901, 904, 906, 912, 915, 916, 917, 918, 920, 921, 922, 923	
Bulb Base	W2.1 x 9.5d Wedge Base	
Life Span	60,000 Hour Life Expectancy	

Performance Chart				
Incandescent Bulb #	Bulb Life in Hours	Incandescent Bulb		Incandescent Bulb Wattage / Amps
		Initial Lumen Output	Designed Lumen Output	
904	5000	50.24	20.096	9.3 / .689
906	1000	75.36	30.144	9.3 / .689
912	1000	150.72	60.288	12.8 / 1.000
916	10,000	25.12	10.048	7.3 / .541
917	1200	126	50.4	15.4 / 1.200
918	500	81.64	32.656	7.2 / .563
920	1200	126	50.4	15.4 / 1.200
921	1000	263.76	105.504	18 / 1.41
922	200	188.4	75.36	12.5 / .877
923	500	151	60.4	11.6 / .906

NOTE - "Design Lumen Output"

The incandescent bulbs, which our LED bulbs replace, quickly degrade by 60% to the "Designed Luminous Output" listed on the chart to the left. Thus, within just a few hours of use, many of these incandescent bulbs are less bright than our LED bulbs, but they still require 90% more amperage to run.

REVOLUTION 921-160 & 250



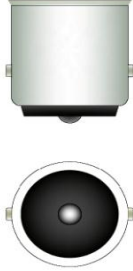
W2.1 x 9.5d Wedge Base



LED Specification and Cross-Reference Guide

REVOLUTION 1156-170™ BULB

2 Per Pack



BA15s

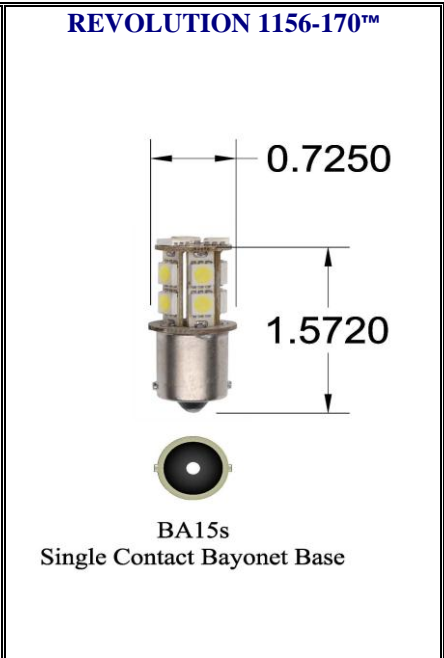
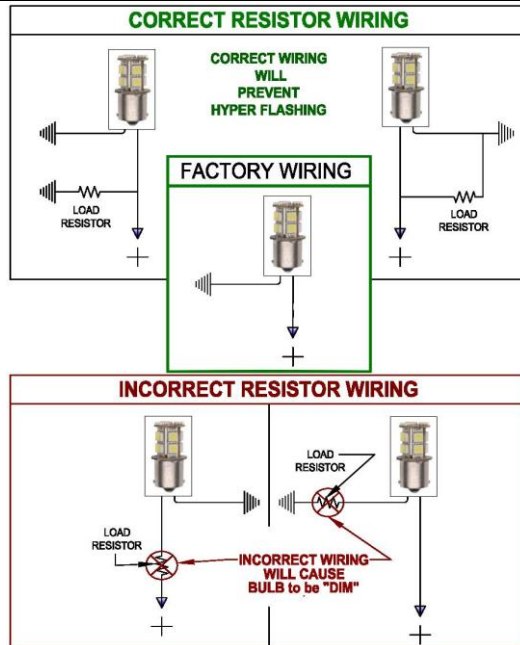
Single Contact Bayonet Base



PRODUCT NAME	Revolution 1156-170™
SKU Number	834760002567
Color temperature	6500K
Lumen output	170 Lumens
Voltage / Regulated Range	12 Volts DC / 9-15 Volts
Total Watts / Total Amps	3.2 / .235
Comparable to bulb/s	93, 1003, 1073, 1093, 1129, 1141, 1156 , 1159, 1295, 1459, 1619, 1651, 1680, 3497, 5007, 5008, 7506, 7527
Bulb Base	BA15s
Life Span	60,000 Hour Life Expectancy

Important

Not all vehicles require a load resistor for the "Turn Signal Circuit". Please test your vehicle prior to purchasing these resistors. To perform a self test, simply install your new LED bulb into your socket. Next activate your signal. If your LED bulb does not blink, or if it blinks rapidly, than you must install a load resistor. If your indicator light blinks as normal, than no load resistor is needed. Also, you may need to install more than one load resistor per circuit, depending on how many lights are wired to that circuit. To determine if you need more than one load resistor, please initiate self-test above after installing the LED bulb and load resistor.





LED Specification and Cross-Reference Guide

REVOLUTION 1157-170™ BULB

2 Per Pack



BAY15d

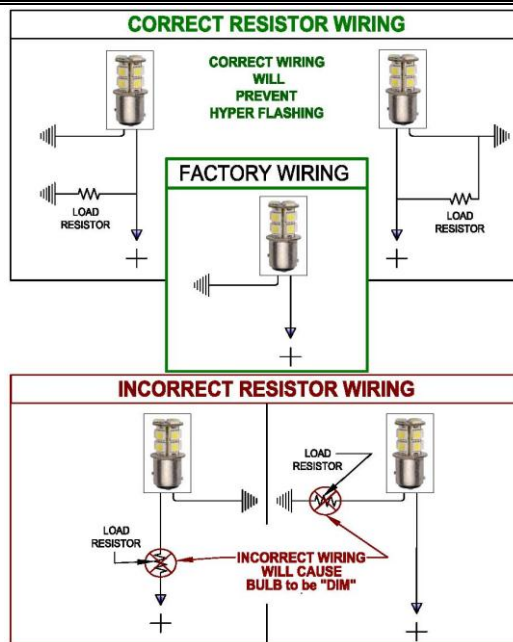
Double Contact Index Bayonet Base



PRODUCT NAME	Revolution 1157-170™
SKU Number	834760115724
Color temperature	6500K
Lumen output	170 Lumens
Voltage / Regulated Range	12 Volts DC / 9-15 Volts
Total Watts / Total Amps	3.2 / .235
Comparable to bulb/s	1016, 1034, 1130, 1142, 1154, 1157, 1493, 2057, 2357, 2397, 3496, 7225, 7528
Bulb Base	BAY15d
Life Span	60,000 Hour Life Expectancy

Important

Not all vehicles require a load resistor for the "Turn Signal Circuit". Please test your vehicle prior to purchasing these resistors. To perform a self test, simply install your new LED bulb into your socket. Next activate your signal. If your LED bulb does not blink, or if it blinks rapidly, than you must install a load resistor. If your indicator light blinks as normal, than no load resistor is needed. Also, you may need to install more than one load resistor per circuit, depending on how many lights are wired to that circuit. To determine if you need more than one load resistor, please initiate self-test above after installing the LED bulb and load resistor.



REVOLUTION 1157-170™



BAY15d Double Contact
D.C. Index Bayonet Base



LED Specification and Cross-Reference Guide

REVOLUTION 1076-205 & 255 BULB



BA15d

Double Contact Index Bayonet Base

1 Per Pack



1 Per Pack



PRODUCT NAME	Revolution 1076-205™	Revolution 1076-255™
Sk# Number	610074074748	610074074779
Color temperature	3200K	3200K
Lumen output	205 Lumens	255 Lumens
Voltage / Regulated Range	12 Volts DC / 9-15 Volts	12 Volts DC / 9-15 Volts
Total Watts / Total Amps	3.8 / .282	5.0 / .370
Comparable to bulb/s	68, 94, 847, 1004, 1020, 1076, 1142, 1152, 1171, 1176, 1196	
Bulb Base	BA15d	BA15d
Life Span	60,000 Hour Life Expectancy	60,000 Hour Life Expectancy

Performance Chart				
Incandescent Bulb #	Bulb Life in Hours	Incandescent Bulb		Incandescent Bulb Wattage / Amps
		Initial Lumen Output	Designed Lumen Output	
68	5000	50	20	8 / .59
94	800	50	20	8.06 / .62
847	300	278	111.2	25 / 2
1004	200	189	75.6	12 / .94
1076	200	420	168	23.04 / 1.8
1142	1000	266.7	106.68	18.4 / 1.44
1152	500	266.7	106.68	17.2 / 1.34
1196	300	635	254	37.5 / 3

NOTE - "Design Lumen Output"

The incandescent bulbs, which our LED bulbs replace, quickly degrade by 60% to the "Designed Luminous Output" listed on the chart to the left. Thus, within just a few hours of use, many of these incandescent bulbs are less bright than our LED bulbs, but they still require 90% more amperage to run.

REVOLUTION 1076-205 & 255



BA15d Double Contact
D.C. Index Bayonet Base

REVOLUTION 1076-205™



BA15d Double Contact
D.C. Index Bayonet Base

REVOLUTION 1076-255™



LED Specification and Cross-Reference Guide

REVOLUTION 1036-25™ FESTOON BULB

2 Per Pack



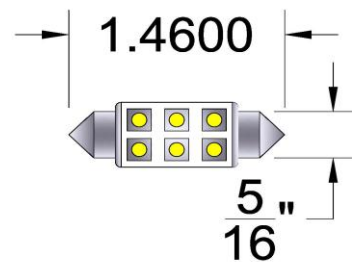
SV8.5-8

Festoon

PRODUCT NAME	Revolution 1036-25™
SKU Number	834760002369
Color temperature	6500K
Lumen output	20 Lumens
Voltage / Regulated Range	12 Volts DC / 9-15 Volts
Total Watts / Total Amps	0.5 / .037
Comparable to bulb/s	211, 212, 3423, 3425, 6411, 6413, 6429, 6451, 6475, 7576
Bulb Base	SV8.5-8 - Festoon
Life Span	60,000 Hour Life Expectancy

Performance Chart				
Incandescent Bulb #	Bulb Life in Hours	Incandescent Bulb		Incandescent Bulb Wattage / Amps
		Initial Lumen Output	Designed Lumen Output	
211	300	121	48.4	12.42 / .59
212	300	75	30	10 / .714
1036	5000	50	20	5 / .42
3423	150	99	39.6	5.07 / .39
3425	400	120	48	10 / .833
6411	200	101	40.4	9.96 / .83
6413	200	101	40.4	5 / .417
6429	300	120	48	10 / .417
6451	75	220	88	15 / 1.25
6475	300	242.57	97.028	18 / 1.5

REVOLUTION 1036-25 FESTOON



SV8.5-8 Festoon

NOTE - "Design Lumen Output"

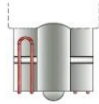
The incandescent bulbs, which our LED bulbs replace, quickly degrade by 60% to the "Designed Luminous Output" listed on the chart to the left. Thus, within just a few hours of use, many of these incandescent bulbs are less bright than our LED bulbs, but they still require 90% more amperage to run.



LED Specification and Cross-Reference Guide

REVOLUTION 194-70™ BULB

2 Per Pack

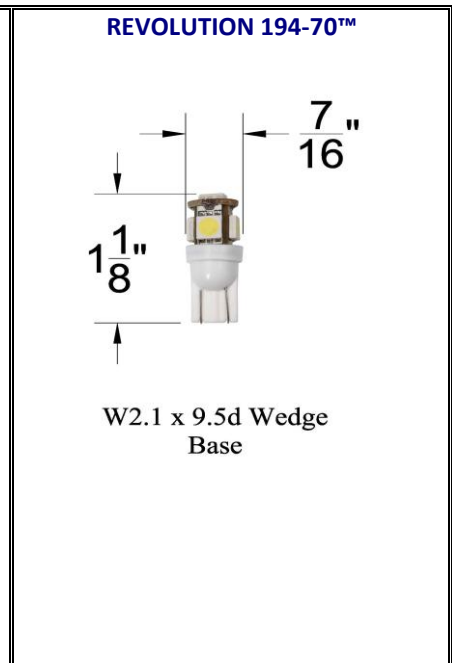
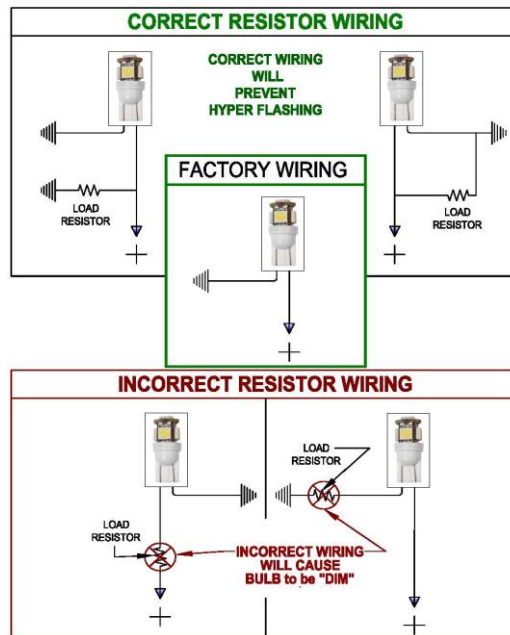


W2.1 x 9.5d

Wedge Base

PRODUCT NAME	Revolution 194-70™
SKU Number	834760002215
Color temperature	6500K
Lumen output	70 Lumens
Voltage / Regulated Range	12 Volts DC / 9-15 Volts
Total Watts / Total Amps	1.3 / .096
Comparable to bulb/s	194, 516, 579, 901, 904, 906, 912, 915, 916, 917, 918, 920, 921, 922, 923
Bulb Base	W2.1 x 9.5d Wedge Base
Life Span	60,000 Hour Life Expectancy

Important
 Not all vehicles require a load resistor for the "Turn Signal Circuit". Please test your vehicle prior to purchasing these resistors. To perform a self test, simply install your new LED bulb into your socket. Next activate your signal. If your LED bulb does not blink, or if it blinks rapidly, than you must install a load resistor. If your indicator light blinks as normal, than no load resistor is needed. Also, you may need to install more than one load resistor per circuit, depending on how many lights are wired to that circuit. To determine if you need more than one load resistor, please initiate self-test above after installing the LED bulb and load resistor.





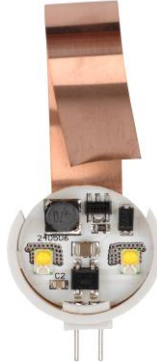
LED Specification and Cross-Reference Guide

REVOLUTION G4-160 and 205 BULB

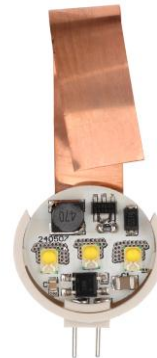


G4 - Sub-miniature
2-Pin

1 Per Pack



1 Per Pack



PRODUCT NAME	Revolution G4-160™	Revolution G4-205™
Sku Number	610074074809	610074074861
Color temperature	4200 K	4200 K
Lumen output	160 Lumens	205 Lumens
Voltage / Regulated Range	12 Volts DC / 9-30 Volts	12 Volts DC / 9-30 Volts
Total Watts / Total Amps	1.3786 / .113	3.67 / .301
Bulb Base	G4 - SUB-MINIATURE 2-PIN	G4 - SUB-MINIATURE 2-PIN
Life Span	60,000 Hour Life Expectancy	60,000 Hour Life Expectancy

REVOLUTION G4-160 AND 205

1.0180

0.9752

0.1560

Revolution G4-160™

10°
10 Degree Pin Adjustment

0°
0 Degree Pin Adjustment

The pin adjusts for different fixtures

1.0180

0.9752

0.1560

Revolution G4-205™



LED Specification and Cross-Reference Guide

REVOLUTION T5-12™ TUBE

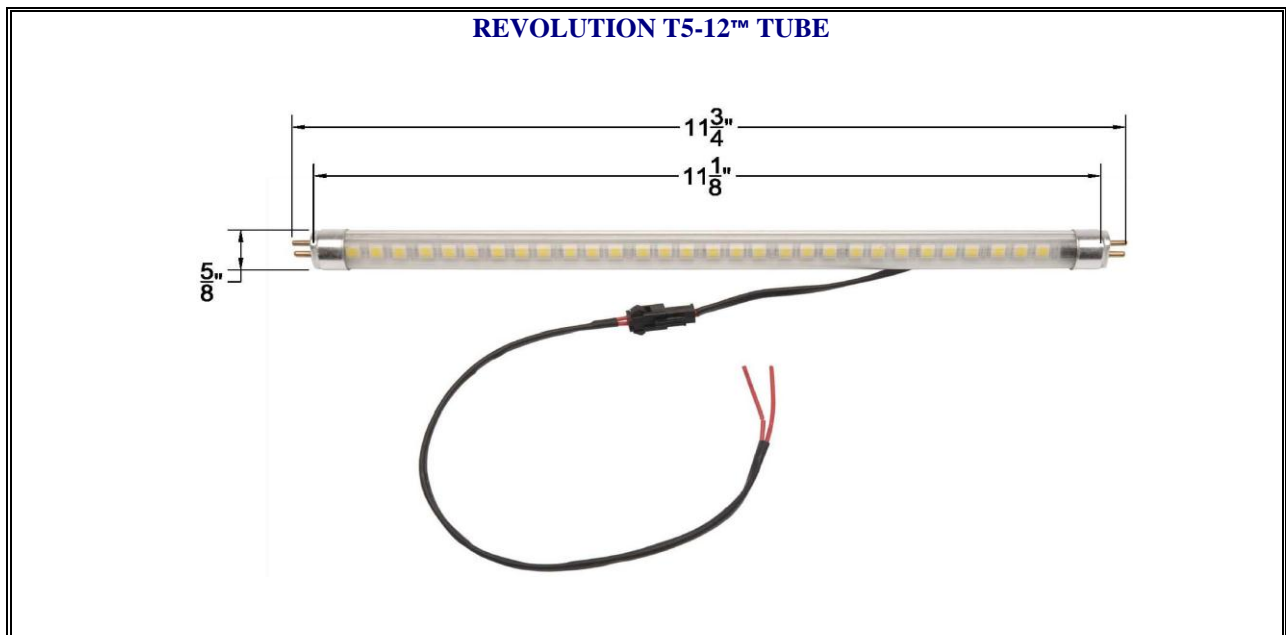
1 Per Pack



MINI-BI-PIN



PRODUCT NAME	Revolution T5-12™ TUBE
Sku Number	610074074687
Color temperature	4500K
Lumen output	400 Lumens
Voltage / Regulated Range	12 Volts DC / 9-15 Volts
Total Watts / Total Amps	4.3 / .3524
Bulb Base	MINI-BI-PIN (G5)
Life Span	60,000 Hour Life Expectancy





LED Specification and Cross-Reference Guide

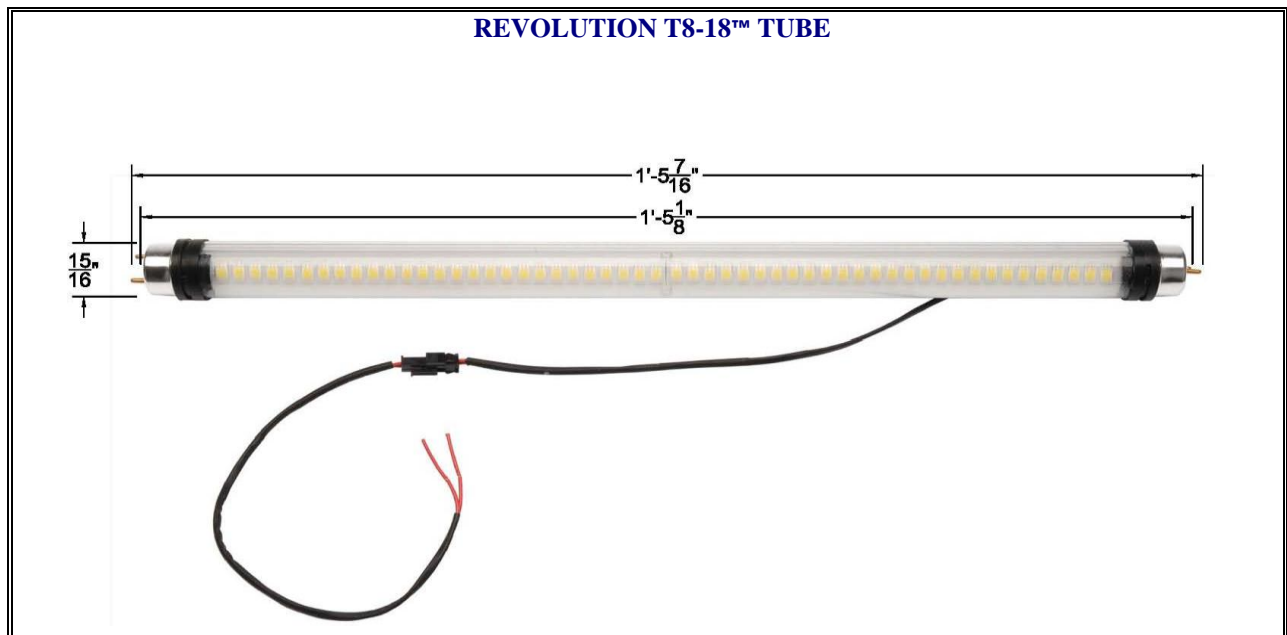
REVOLUTION T8-18™ TUBE

1 Per Pack



MED-BI-PIN

PRODUCT NAME	Revolution T8-18™ TUBE
Sku Number	610074074717
Color temperature	4500K
Lumen output	810 Lumens
Voltage / Regulated Range	12 Volts DC / 9-15 Volts
Total Watts / Total Amps	7.476 / .623
Bulb Base	MEDIUM-BI-PIN (G13)
Life Span	60,000 Hour Life Expectancy





LED Accessories

REVOLUTION LR-157™ LOAD RESISTOR

2 Per Pack

This kit comes complete with
 2 (two) 50 Watt 6Ω Load Resistors &
 4 (four) wire connectors.



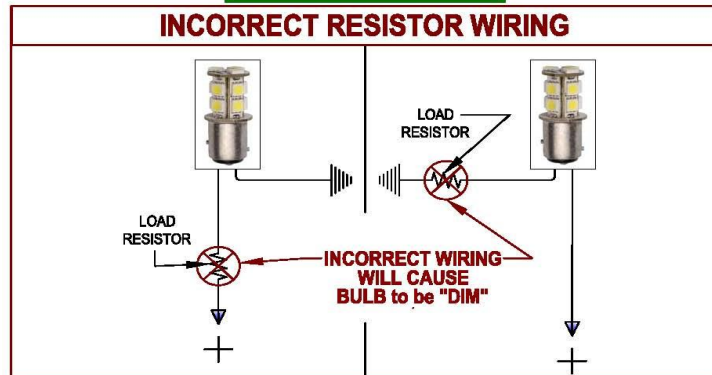
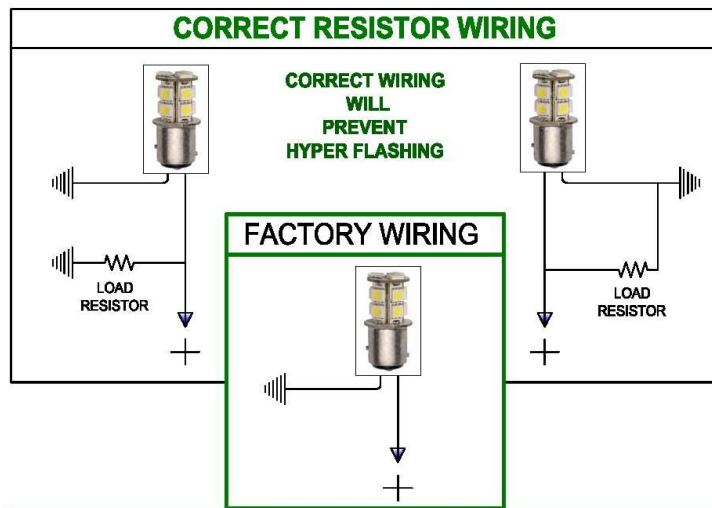
PRODUCT NAME	Revolution LR-157™
SKU Number	834760041023

Important

Not all vehicles require a load resistor for the **"Turn Signal Circuit"**.

Please test your vehicle prior to purchasing these resistors. To perform a self test, simply install your new LED bulb into your socket. Next activate your signal. If your LED bulb does not blink, or if it blinks rapidly, than you must install a load resistor.

If your indicator light blinks as normal, than no load resistor is needed. Also, you may need to install more than one load resistor per circuit, depending on how many lights are wired to that circuit. To determine if you need more than one load resistor, please initiate self-test above after installing the LED bulb and load resistor.





Lighting Fixture Accessories

REVOLUTION 2000 FB™ FUSED RELAY BOX

1 Per Pack

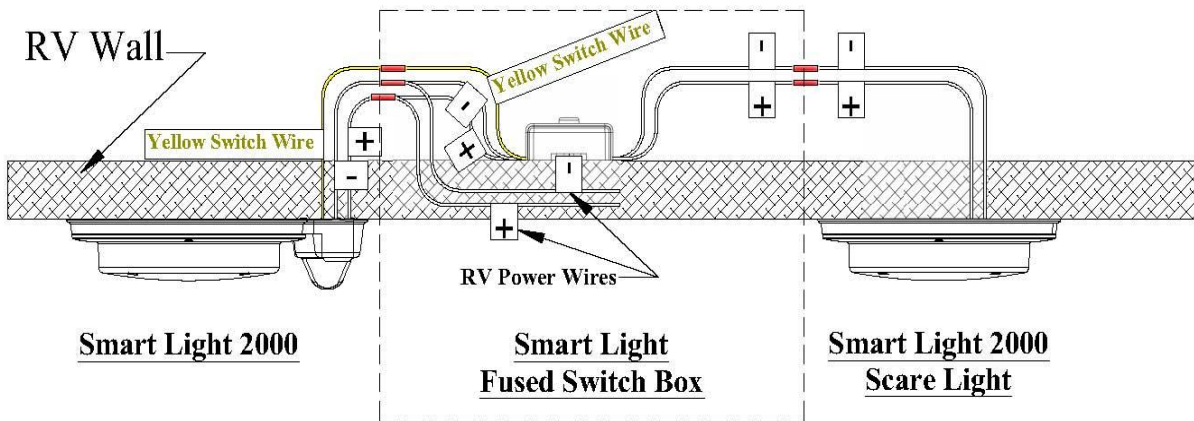
Use this Fused Relay to control other non-automatic DC 12 Volt fixtures or Add-ons with a Smart Light 1000™ or Smart Light 2000™ fixture. It will give your Smart Light much needed curcuit board protection. Allows other 12volt components to turn on and off simultaneously with your Smart Light.



PRODUCT NAME	Revolution 2000 FB™
SKU Number	834760001126
Input Voltage	8 - 18 Volts DC
Trigger Voltage DC/ Amps (Yellow Wire)	6-12 Volts DC/4 Amps

WIRING SCHEMATIC

Note the wire tags [+] & [-] when installing Smart products.
Fuse Box to be mounted inside of RV.



EXTERIOR of the RV
This side



Smart Light Lighting Fixtures

SMART LIGHT 1000™ Series Fixtures

1 Per Box

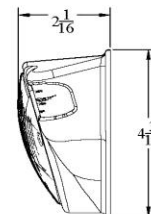
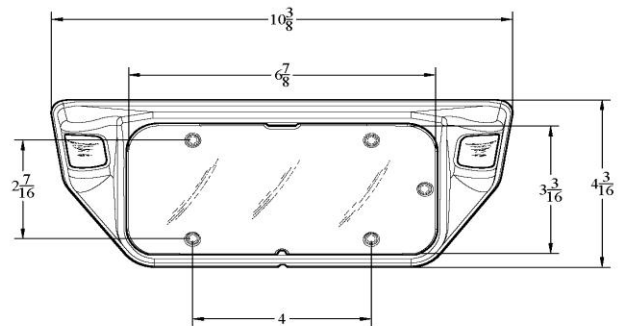
1 Per Box



PRODUCT NAME	Smart Light 1000™ WHITE	Smart Light 1000™ BLACK
Sku Number	834760010012	834760810018
Base Plastic Color	White	Black
Voltage	12 Volts DC	12 Volts DC
Bulb Type	Revolution-200 LED Bulb Standard., or 1003 Incandescent	Revolution-200 LED Bulb Standard., or 1003 incandescent
Number of PIR Sensors	2	2
Sensitivity adjustable	YES - Individually Per side	YES - Individually Per side
Time-on after the last motion in detection area is sensed / Adjustable	60 seconds / NO	60 seconds / NO
Reverse Polarity Protected	YES	YES
Modes	Porch Light / Auto	Porch Light / Auto

Accessories

PRODUCT NAME	Sku Number
Revolution 150™ - White	834760001522
Revolution 150™ - Black	834760001607
Revolution 200™ - White	834760020028
Revolution 200™ - Black	834760001614
Revolution 255™	610074075547
Revolution 305™	610074075509
Anti-Bug Bulb	834760810025
Revolution Fused Relay Box™	834760001126
Amber Replacement Lens	834760810100
Clear Replacement Lens	834760810209



Amber Replacement Lens
834760810100



Kit Clear Replacement Lens Kit
834760810209



Smart Light Lighting Fixtures

SMART LIGHT 2000™ Series Fixtures

1 Per Box



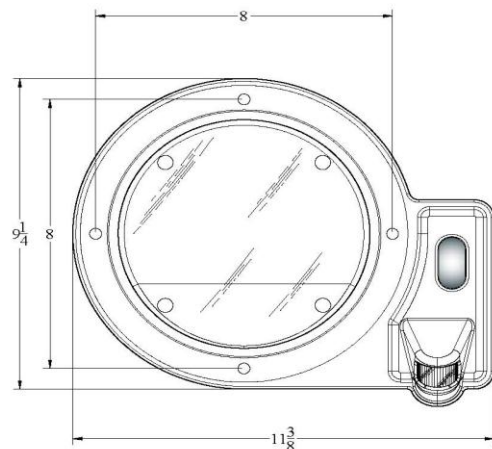
1 Per Box



PRODUCT NAME	Smart Light 2000™ WHITE	Smart Light 2000™ BLACK
Sku Number	834760020127	834760002031
Base Plastic Color	White	Black
Voltage	12 Volts DC	12 Volts DC
Bulb Type	1156 Incandescent	1156 Incandescent
Number of PIR Sensors	1	1
Sensitivity adjustable	YES - Individually Per side	YES - Individually Per side
Time-on after the last motion in detection area is sensed / Adjustable	60 seconds / NO	60 seconds / NO
Reverse Polarity Protected	YES	YES
Modes	Porch Light / Auto	Porch Light / Auto

Accessories

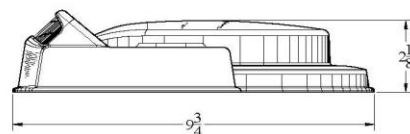
PRODUCT NAME	Sku Number
Revolution 150™ - White	834760001522
Revolution 150™ - Black	834760001607
Revolution 200™ - White	834760020028
Revolution 200™ - Black	834760001614
Revolution 255™	610074075547
Revolution 305™	610074075509
Anti-Bug Bulb	834760810025
Revolution Fused Relay Box™	834760001126
Amber Replacement Lens	834760001324
Clear Replacement Lens	834760001423



Amber Replacement Lens
834760001324



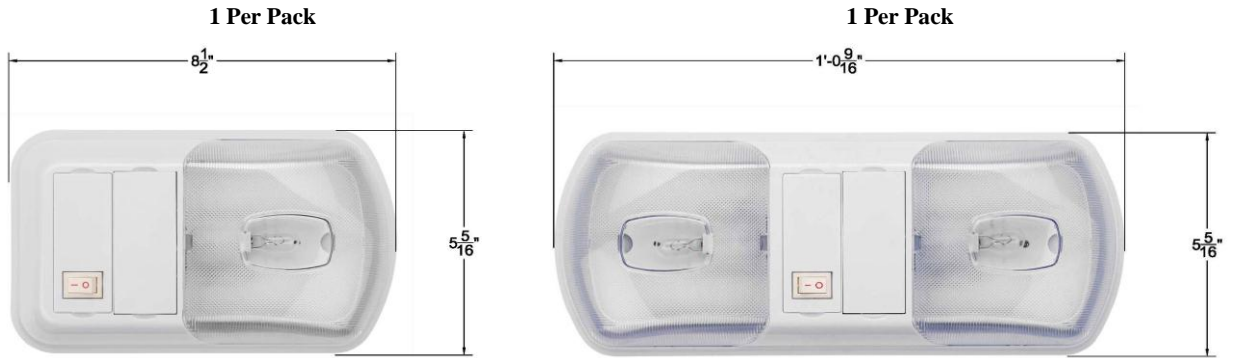
Kit Clear Replacement Lens Kit
834760001423





Lighting Fixture Accessories

BRILLIANT LIGHT™ Series Fixtures



PRODUCT NAME	Brilliant Light 3000™ Single	Brilliant Light 3001™ Double
Sku Number	610074074984	610074075219
Input Voltage	8 - 16 Volts DC	8 - 16 Volts DC
Base Plastic Color	White	White
Bulb Type	921	921
Voltage DC	12.8 Volts DC	12.8 Volts DC
Total Watts / Total Amps	18 / 1.41	36 / 2.82

Accessories

PRODUCT NAME	Sku Number
Brilliant Light 3004 Dimmer Dial Module	610074075103
Brilliant Light 3005 Night Light Module	610074075066
Brilliant Light 3006 Motion Detection Module	610074075028
Brilliant Light 3007 PCB Control Board	610074075301
Brilliant Light 3008 Day/Night Sensor	610074075141
Brilliant Light 3009 Replacement Lens	610074075189
Brilliant Light 250 Replacement LED Board	610074075332
Brilliant Light 300 Replacement LED Board	610074075363

NOTE

When using Upgrades 3004, 3005, 3006 and 3008, the use of a 3007 Control PCB is Required.



3004
Dimmer



3005
Night Light



3006
Motion Detection



3007
Control PCB



3008
Day/Night Sensor



3009
Replacement Lens



250
Replacement LED

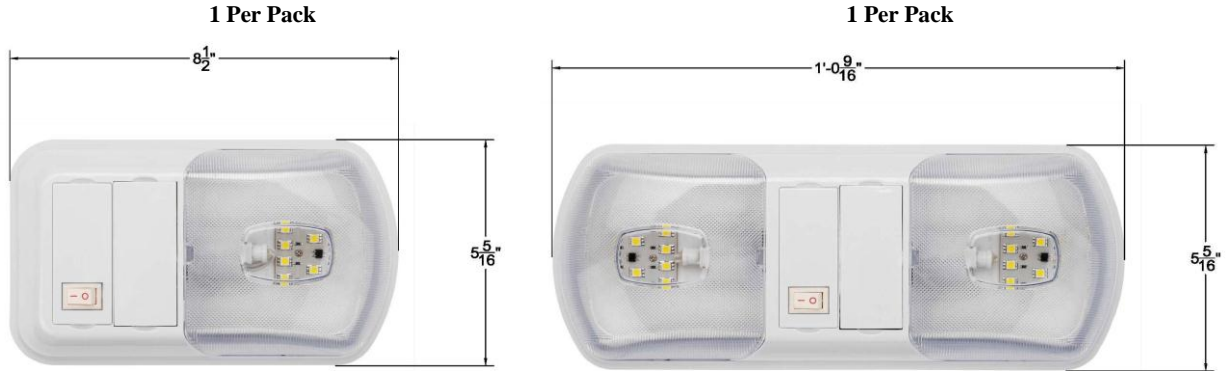


300
Replacement LED



Lighting Fixture Accessories

BRILLIANT LIGHT™ Series Fixtures



PRODUCT NAME	Brilliant Light 3002™ Single	Brilliant Light 3003™ Double
Sku Number	610074075240	610074075271
Input Voltage	8 - 16 Volts DC	8 - 16 Volts DC
Base Plastic Color	White	White
Bulb Type - LED Board	150 Lumen x 1 Board = 150 LM Total Output	150 Lumen x 2 Boards = 300 LM Total Output
Voltage Range DC	9-16 Volts DC	9-16 Volts DC
Total Watts / Total Amps	2.108 / .170	4.216 / .340

Accessories

PRODUCT NAME	Sku Number
Brilliant Light 3004 Dimmer Dial Module	610074075103
Brilliant Light 3005 Night Light Module	610074075066
Brilliant Light 3006 Motion Detection Module	610074075028
Brilliant Light 3007 PCB Control Board	610074075301
Brilliant Light 3008 Day/Night Sensor	610074075141
Brilliant Light 3009 Replacement Lens	610074075189
Brilliant Light 250 Replacement LED Board	610074075332
Brilliant Light 300 Replacement LED Board	610074075363

NOTE

When using Upgrades 3004, 3005, 3006 and 3008, the use of a 3007 Control PCB is Required.



3004
Dimmer



3005
Night Light



3006
Motion Detection



3007
Control PCB



3008
Day/Night Sensor



3009
Replacement Lens



250
Replacement LED



300
Replacement LED